

HARDWOOD FLOORING COLLECTION

Parquet hardwood floors



Nature walks with you


WICANDERS®



Parquet FSC – A commitment to nature's respect

FSC ("Forest Stewardship Council") is an independent, non-governmental, not-for-profit organization established to promote the responsible management of the world's forests.

It is a certification system that provides internationally recognized standard-setting, trademark assurance and accreditation services to companies, organizations, and communities interested in responsible forestry.

The FSC label provides a credible link between responsible production and consumption of forest products, enabling consumers and businesses to make purchasing decisions that benefit people and the environment as well as providing ongoing business value.

For more information about FSC: www.fsc.org



**The mark of
responsible forestry**
Only the products that are
identified as such on this
document are FSC certified.

The FSC forest certification assures that the wood used in a product derives from an environmental appropriate, socially just, economical viable production process and in compliance with all applicable laws.

Wicanders, together with all the involved suppliers, continuously seeks solutions that match its own high standards, choosing sustainable and top quality products, leveraged through state of the art technology.

Choosing **Parquet** hardwood floors you feel an active part in the environment protection, sharing **Wicanders'** constant commitment to nature's respect.

Think green, **choose** Wicanders

Wicanders products underwent a detailed eco-efficiency study in 2007, carried out by the highly regarded company, BASF.

The study, based on a comparative analysis with several other types of flooring, illustrated the excellent environmental performance of **Wicanders** products and its manufacturing process. Besides the smaller amounts of energy and raw materials required for the manufacturing process, these products actively contribute to reducing global warming, not only through their low emissions, but also due to cork's natural property of retaining CO₂.

This study also highlighted irrefutable advantages for the consumer. Cork's natural thermal insulation characteristics ensure that **Wicanders** products represent significant savings for the consumer in acclimatisation energy costs. Values that re-assure the excellence of **Wicanders** flooring and their impact on protecting the planet and the world economy.

Your future in good hands!

Wicanders is a truly sustainable brand! The starting point is a raw material that is extracted cyclically from the cork oak trees without ever damaging them. This raw material is then transformed into products of high added value while biodiversity, economic and social sustainability are simultaneously fostered.

Wicanders also looks out for your future! Its products retain CO₂, which would otherwise contribute to global warming. It is estimated that the Portuguese cork oak forest – "montado" – is responsible for retaining 5% of the country's annual CO₂ emission, representing 4.8 million tons per year.



Only the products that are identified as such on the document are FSC certified



Excellence in flooring



Amorim Revestimentos, a company of the Portuguese Amorim Group, with over 130 years of experience in selected cork products, has developed unique flooring and wall covering solutions throughout its history. Amorim Revestimentos sells its products in more than 51 countries and is known throughout the world as a pioneer in creating top-quality, ground-breaking solutions.

Reflecting a highly sustainable development, the Amorim Group developed a revolutionary process that is adapted to nature's rhythms. The first extraction of cork from the cork oak tree occurs only twenty-five years after planting, following which it is harvested in nine-year cycles, without ever damaging the tree in any way. This method allows the cork oak forest – "montado" – to fulfil its role of fixing CO₂, thus actively contributing to reduce global warming.

The regular extraction of cork is also a decisive contributor to sustainability: environmental (conserving biodiversity and preventing desertification), social (population settlement and jobs creation) and economic. The company's in-depth knowledge and respect for nature, its continuous investment in technological innovation and highly-specialised staff, have guaranteed its leading position in the international field.

Wicanders has strengthened its existing cork products (**Corkcomfort**) and wood-on-cork products (**Woodcomfort**), by investing in new product lines such as vinyl (**Vinylcomfort**), linoleum (**Linocomfort**), and parquet (**Parquet**), towards a new phase marked by the evolution from a cork manufacturer to a flooring solutions company. Cutting-edge technology, know-how, creativity and audacity are merged into an avant-garde approach inspired on nature's values.





Parquet hardwood floors - Born from nature

From luxuriant and exotic forests, nature offers one of the most precious materials to design, with which we've created a unique collection of wood floorings. Throughout each stage of the manufacturing process, from selection to finishing, **Wicanders** creates the most advanced flooring solutions in harmony with nature.

Pursuing strict quality criteria and ecological specifications, **Wicanders** offers a range of wood floor collections with different and customised solutions suitable for a wide variety of ambiances.

In order to guarantee top-quality products, **Wicanders** works with certified factories on various continents, adopting a sourcing strategy that turns possible the use of specific technologies, suited to the distinct characteristics of each individual wood species. This strategy enables us to offer unique products, while contributing to the economic development of problematic regions. This process is monitored by an Amorim committee of experts who ensure compliance with **Wicanders** parameters.

Full of **emotions**

Developed by virtue of systematic studies and analyses of aesthetic trends and contemporary lifestyle needs, **Wicanders Parquet** hardwood offers five collections that meet a wide variety of visuals and practical requirements. Surfaces that reinforce natural textures and colourings, reinterpreted into different styles and expressions, creating an experience full of positive emotions.

A **natural** way of living





Classics Collection



NATURAL BEAUTY – TIMELESS COMFORT

Composed of a wide range of species, the Classics Collection aims to preserve the natural character of wood through a series of timeless visual effects with a varnished finish.

Available in two options: plank or three strips, the Classics Collection offers a high-quality performance structure. Consisting of three layers in a wide variety of visuals, this collection was developed for classic or contemporary environments, and above all, elegant and stylish looks.

A rich color palette that combines stunning original visuals with a modern feel. This allows you to choose your own style with nature's embrace.





Bamboo Collection





EXOTIC PARADISES – EXITING MOMENTS

With this collection of bamboo floorings, **Wicanders** presents a revolutionary combination of sustainability and design.

Unlike wood, which takes about 50 to 60 years to mature, this plant from southeast China is characterized for its fast growth (3-4 years), and no need for planting. The Bamboo Collection is also impressive for its extraordinary versatility and strength. With a high-performance three-layer composition, this Eastern-inspired flooring enhances the qualities of wood floors, with obvious added benefits: high-density structure, making it rigid and stable; compatibility with underfloor heating systems; low formaldehyde emissions and greater variety of sizes and uses.

Thanks to innovative cutting techniques, the consequent large diversity of patterns and combinations of textures, suggests an attractive range of possibilities for designing eye-catching home and commercial spaces.

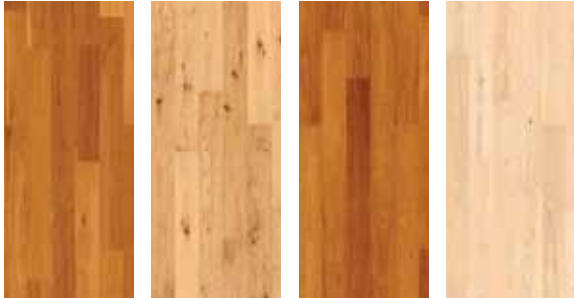
The full Bamboo Collection is available with FSC certification, granting that these products are from well-managed forests and controlled sources.





Prestige Collection





DISTINCTIVE FEELINGS – THE CHARM OF YEARS GONE BY

The Prestige Collection suggests a reinterpretation of the floors of old manor houses, using extra-large three-layer boards. Robust and durable, this collection is inspired in the elegance and charm of the past, reliving the tradition of European stately homes with a classic look.

Ideal for restoring old buildings, this collection has two different dimensions allowing the creation of distinct visual effects: ManorHouse with 1830x189x15mm, for a classic robust look; and Royal with 2200x260x22mm for majestic vintage environments, with a thicker wood top layer.

With these **Parquet** visuals you can create atmospheres with an aristocratic charm.

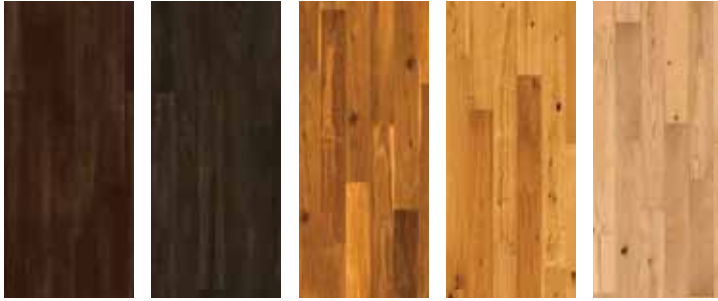
The Prestige Collection is fully available with 100% FSC certification, validating that these products are from well-managed forests, assuring **Wicanders' Parquet** compliance with the highest social and environmental standards on the market.





Style Collection





PURE DESIGN – UNIQUE SENSATIONS

Exploring styles and graphic languages, the Style Collection suggests a number of surprising effects grouped into three sub-collections which set the latest trends in interior design. Ranging from contemporary to traditional and from rustic to urban style, Kentucky, Metropolitan and Boutique selections mingle attractive combinations of natural colours and patterns in sturdy three-layer boards.

The Kentucky selection, available in different finishes, with the aged hint of brushing, hand scraping or smoking, is inspired in the vast forests of America and the traditional character of the dark shades of oak. Recreating the appearance of rare woods such as American Walnut, African Wengé, Teak and Iroko, this flooring provides unforgettable decorative options.

The markedly sophisticated Metropolitan selection grants a smooth metallic shine, producing cosmopolitan atmospheres combined with steel, glass or metal elements.

The Boutique selection defines expressive contrasts and bold optical interplays, and is the trendiest in **Parquet** hardwood collection. Consisting of narrower strips of Oak (natural or smoked) or Maple, this is what we suggest for vibrant spaces where intense feelings accompany urban rhythms.



The background is a collage of images. On the left, there are vertical panels of light-colored wood plank textures. On the right, there is a close-up of a woman's face with dark hair and green eyes, wearing a large pearl necklace. In the center, there is a lit candle in a dark holder, with a pink rose petal in the foreground. The overall mood is elegant and sophisticated.

Premium Plank Collection



LUXURIANT FLOORS – EXQUISITE ELEGANCE

Premium Plank is the deluxe collection of **Wicanders Parquet** hardwood floors. This outstanding collection sets the trend on the latest development in engineered Oak flooring, being made from 100% oak layers. This advanced floor construction provides you top quality and nobility of solid woods allied with the sturdiness of engineered floors.

Available in boards with 2200x260x20mm, with a 6mm top layer, this foremost 3 oak layers flooring has a traditional tongue and groove connection.

Premium plank collection is presented in a range of six unique products. Charming colors with distinctive features, such as brushing, smoking and hand scraping, these floors will highlight the character of any room.

Premium Plank Collection is fully available with 100% FSC certification, validating that these products are from well-managed forests, assuring **Wicanders' Parquet** compliance with the highest social and environmental standards on the market.





Parquet brings nature home!



THE ESSENCE OF WELLBEING

Mother Nature offers us perfection in the form of precious woods, which **Wicanders** selects and transforms into exclusive floorings so that your everyday surroundings give you the calm and comfort of the purest emotions.

INSPIRED BY NATURE

Composed of 100% natural materials, **Wicanders Parquet**'s mission is to preserve the resources that nature offers us. Consequently, our philosophy is one of deep respect for nature.

TECHNOLOGY FOR LIFE

Composed of two, three or multi-layer top quality technology structure, based mostly of solid wood, **Wicanders Parquet** is very resistant and durable due to breakthrough manufacturing solutions that define this innovative concept. Its sturdiness is immediately felt, accentuating the charisma and comfort of your space for years to come.

DESIGNING EMOTIONS

Whether in new or renovated spaces, the flooring choice is a fundamental aspect of any architectural project. The **Wicanders Parquet** collections offer you a wide range of woods, sizes and finishes customised to your style. Through high-tech varnishing processes, these collections emphasize and enrich the natural texture of wood. From darker to lighter tones, from classic to more adventurous textures, the five available collections guarantee a floor fitting your own style.

EASY TO INSTALL

The innovative **WICLOC** glueless locking system makes your installation easy and almost instantaneous. All lines, except for the Royal selection and the Module Collection, were designed for this floating type of use with no need for glues, unpleasant smells or complex assembly. Your free time also benefits from the care provided particularly by the varnish finished products. In order to preserve the durability, cleanliness and beauty of your **Wicanders Parquet** floor, all you need to do is wipe it regularly with a dry cloth, alternating with a damp cloth, and a special cleaning product for wood floors, which cleans and nourishes the surface at the same time.

TIPS FOR BEAUTIFUL AND LONG-LIVING WICANDERS PARQUET HARDWOOD FLOORS

Place a good rug at the entrance. Immediately remove any type of sand or gravel. Use protective pads under furniture legs. Avoid walking with sharp heels. Immediately dry any water splashes. Protect from sun and intensive UV light.



Parquet hardwood flooring collection

Classics Collection Plank



Walnut Nature Plank



Merbau Nature Plank



Oak Nature Plank



Oak Country Nordic Plank



Iroko Nature Plank



Jatoba Nature Plank



Ash Country Nordic Plank

Classics Collection 3 Strip



Walnut Nature 3 Strip



Merbau Nature 3 Strip



Oak Nature 3 Strip



Ash Country Nordic 3 Strip



Hevea Nature 3 Strip



Oak Country 3 Strip



Beech Nature steamed 3 Strip



Parquet hardwood flooring collection

Bamboo Collection



Horizontal Natural
Bamboo
*Mixed Sources***



Horizontal Caramel
Bamboo
*Mixed Sources***



Strand Woven Natural
Bamboo
*Mixed Sources***



Strand Woven Caramel
Bamboo
*Mixed Sources***

Prestige Collection



Manor House Oak
Rustic Plank Oiled
*FSC Pure**



Manor House Oak
Rustic Plank White
Oiled
*FSC Pure**



Manor House Oak
Nature Plank Oiled
*FSC Pure**



Manor House Ash Plank
White Oiled
*FSC Pure**



Royal Oak Plank
Unfinished
*FSC Pure**



Royal Oak Plank Oiled
*FSC Pure**



Royal Ash Plank White
Oiled
*FSC Pure**

Premium Plank Collection



Oak Prime
*FSC Pure**



Oak Brass
*FSC Pure**



Oak Moonstone
*FSC Pure**



Oak Suede
*FSC Pure**



Oak Coir
*FSC Pure**



Oak Cocoa
*FSC Pure**

Wood is a natural material. Variation in colour shade and texture is a natural and attractive characteristic. The colour in the photos may not be exactly the same as the original colours due to differences in printing.

Parquet hardwood flooring collection

Style Collection



Kentucky Kansas Plank
FSC Pure*



Kentucky Oklahoma Plank
FSC Pure*



Kentucky Dallas Plank
FSC Pure*



Kentucky Houston Plank
FSC Pure*



Kentucky Memphis Plank
FSC Pure*



Kentucky Atlanta Plank
FSC Pure*



Kentucky New Orleans Plank
FSC Pure*



Kentucky Nashville 3 Strip



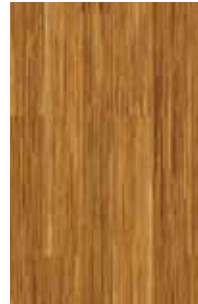
Kentucky Louisville 3 Strip



Boutique Oak Fine-Line



Boutique Maple Fine-Line



Boutique Oak Smoked Fine-Line



Metropolitan Berlin Plank



Metropolitan Paris Plank



Metropolitan Tokyo Plank



Metropolitan Hong Kong Plank



Metropolitan Sydney Plank

Parquet hardwood floors product selector

	3 PLY						Multi PLY		
	Matt Varnish		Semi-Matt Varnish		Oiled	White Oiled	Oiled	White Oiled	Unfinished
Thickness (mm)	14,5	14,5	15	15	15	15	22	22	22
Wear Layer (mm)	3,5	3,5	4	4	4	4	6	6	6
Dimension (mm)	1820x145	1820x190	1900x189	1850x127	1830x189	1830x189	2200x260	2200x260	2200x260
Bevelled	N/A	N/A	N/A	N/A	2 sides	2 sides	2 sides	2 sides	2 sides
Installation	WICLOC	WICLOC	WICLOC	WICLOC	WICLOC	WICLOC	Tongue and Groove	Tongue and Groove	Tongue and Groove
FSC	No	No	Mixed Sources	Mixed Sources	100%	100%	100%	100%	100%

Commercial reference

Classics Collection Walnut Nature	Plank	RW03154							
Classics Collection Walnut Nature	3 Strip		RW01199						
Classics Collection Merbau Nature	Plank	RW03153							
Classics Collection Merbau Nature	3 Strip		RW01198						
Classics Collection Oak Nature	Plank	RW03149							
Classics Collection Oak Nature	3 Strip		RW01196						
Classics Collection Oak Country Nordic	Plank	RW03151							
Classics Collection Iroko Nature	Plank	RW03155							
Classics Collection Jatoba Nature	Plank	RW03150							
Classics Collection Ash Country Nordic	Plank	RW03152							
Classics Collection Ash Country Nordic	3 Strip		RW01200						
Classics Collection Hevea Nature	3 Strip		RW01195						
Classics Collection Oak Country	3 Strip		RW01197						
Classics Collection Beech Nature steamed	3 Strip		RW01201						
Bamboo Collection Horizontal Natural	Bamboo			RW03137					
Bamboo Collection Horizontal Caramel	Bamboo			RW03138					
Bamboo Collection Strand Woven Natural	Bamboo				RW03139				
Bamboo Collection Strand Woven Caramel	Bamboo				RW03140				
Prestige Collection Manor House Oak Rustic	Plank					RW04206	RW04207		
Prestige Collection Manor House Oak Nature	Plank					RW04208			
Prestige Collection Manor House Ash	Plank						RW04210		
Prestige Collection Royal Oak	Plank							RW04215	RW04214
Prestige Collection Royal Ash	Plank							RW04216	

	3 PLY	
	Oiled	
Thickness (mm)	20	
Wear Layer (mm)	6	
Dimension (mm)	2200x260	
Bevelled	2 sides Micro	
Installation	Tongue and Groove	
FSC	100%	

Commercial reference

Premium Plank Collection Oak Prime	Plank	RW04232
Premium Plank Collection Oak Brass	Plank	RW04233
Premium Plank Collection Oak Moonstone	Plank	RW04234
Premium Plank Collection Oak Suede	Plank	RW04235
Premium Plank Collection Oak Coir	Plank	RW04236
Premium Plank Collection Oak Cocoa	Plank	RW04237

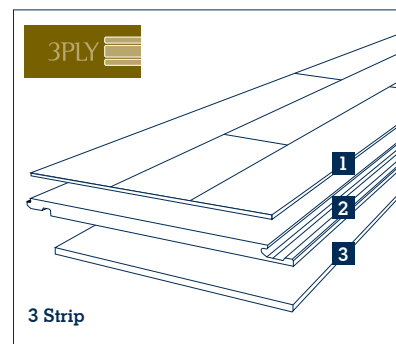
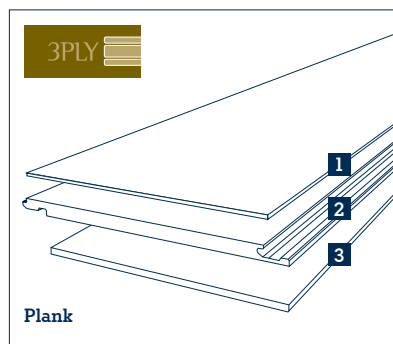
Parquet hardwood floors product selector

	3 PLY					
	Semi-Matt Varnish		Oiled			White Oiled
Thickness (mm)	15	14,5	15	15	14	15
Wear Layer (mm)	4	3,5	4	4	3	4
Dimension (mm)	2200x189	1820x145	1830x189	1830x189	2200x189	1830x189
Bevelled	N/A	4 sides Micro	2 sides	4 sides	N/A	4 sides
Installation	WICLOC	WICLOC	WICLOC	WICLOC	WICLOC	WICLOC
FSC	No	No	100%	100%	No	100%
Commercial reference						
Style Collection Kentucky Kansas	Plank			RW04241		
Style Collection Kentucky Oklahoma	Plank			RW04242		
Style Collection Kentucky Dallas	Plank				RW04243	
Style Collection Kentucky Houston	Plank					RW04244
Style Collection Kentucky Memphis	Plank			RW04245		
Style Collection Kentucky Atlanta	Plank			RW04246		
Style Collection Kentucky New Orleans	Plank			RW04247		
Style Collection Kentucky Nashville	3 Strip				RW01202	
Style Collection Kentucky Louisville	3 Strip				RW01203	
Style Collection Boutique Oak	Fine-Line	RW03156				
Style Collection Boutique Maple	Fine-Line	RW03158				
Style Collection Boutique Oak Smoked	Fine-Line	RW03157				
Style Collection Metropolitan Berlin	Plank		RW03142			
Style Collection Metropolitan Paris	Plank		RW03144			
Style Collection Metropolitan Tokyo	Plank		RW03145			
Style Collection Metropolitan Hong Kong	Plank		RW03146			
Style Collection Metropolitan Sydney	Plank		RW03147			

Floor construction

FLOATING FLOOR

Wicanders engineered wood flooring constructions were developed having in mind the creation of a floor as nature friendly as possible. One of the key factors is the use of Poplar and Hevea-wood (“rubber-wood”) as a core-layer, giving stability to our floors and also allowing to profile the boards with the unique, glueless WICLOC installation system. The Hevea-wood, growing primarily in Southeast Asia, used to be burned after the extraction of the rubber-latex. Nowadays, Hevea is used in **Wicanders Parquet** hardwood floors collection, and over 600 thousand hectares are replanted each year. **Wicanders** hardwood floors come with different hardwood face layers, each enhancing wood’s natural beauty.



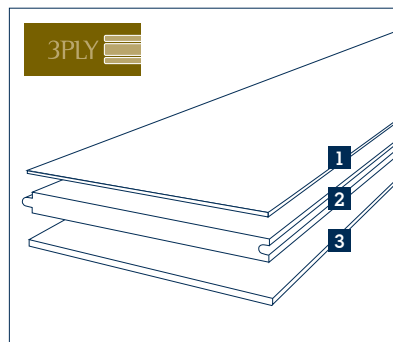
1. Hardwood approx. 3,5-4,0 mm
2. Solid rifts made out of Hevea or Poplar 9mm
3. Balancing veneer 2,0mm



GLUE DOWN FLOOR

NAIL/SCREW DOWN FLOOR

Premium Plank, the deluxe collection of the **Wicanders Parquet**, is composed of 100% Oak layers. A thick Oak top layer of 6mm is united with two other robust Oak layers, to form boards with a total thickness of 20mm. This advanced floor construction provides you top quality and nobility of solid woods allied with the sturdiness of engineered floors.



1. Top layer 6mm Oak
2. Core layer 11mm Oak
3. Balancing veneer 3mm Oak

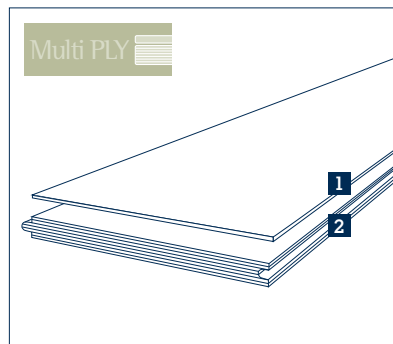


Floor construction

GLUE
DOWN
FLOOR

NAIL/SCREW
DOWN
FLOOR

Royal Selection, the excellence range of the **Wicanders Parquet** Prestige Collection, has a thicker hardwood top layer of 6mm in a total of 22mm thickness boards. The core layer of these products is made of multi layer birch plywood. The veneers are bonded right-angled, which increases significantly the stability of the finished floor board.



1. Hardwood 6,0 mm
2. Plywood Birch

WICLOC



High technology machinery is used in the production of **Wicanders** hardwood floors with WICLOC glueless locking system, providing you fast and easy installation, freeing you from complex assembly requirements, the use of adhesives and consequent unpleasant smells and extra time consumption.

tongue&groove



These products, although with traditional Tongue and Groove installation, do not require the use of adhesives in the joint. The required glue, nail or screw down installation leads to a perfectly assembled floor.



Technical Data Sheet

Collection		CLASSICS	BAMBOO	PRESTIGE PLANK	STYLE	PREMIUM PLANK
Construction		Plank 3 Strip 3 PLY - 3 layer engineered parquet Squared edges	Bamboo 3 PLY - 3 layer engineered parquet Squared edges	Plank 3 PLY - 3 layer engineered parquet Multi PLY - Multi layer engineered parquet 2 sides bevelled	Plank 3 Strip Fine Line 3 PLY - 3 layer engineered parquet Multi PLY - Multi layer engineered parquet 2 side micro bevelled 2 sides bevelled 4 sides micro bevelled 4 sides bevelled Squared edges	Plank 3 PLY - 3 layer engineered parquet 2 sides micro bevelled
Glueless WICLOC installation	Yes/No	Yes	Yes	Yes (Royal Selection - Tongue and Groove)	Yes	No
Manufactured according to standard	Norm	EN 13489:2002	EN 13489:2002	EN 13489:2002	EN 13489:2002	EN 13489:2002
Total thickness	mm	14,5	15	15; 22	14; 14,5; 15	20
Wear layer	mm	3,5	4	4; 6	3; 3,5; 4	6
Length x Width	mm	1820x145 1820x190	1850x127 1900x189	1830x145 2200x260	1820x145 1830x189 2200x189	2200x260
FSC certified		No	Mixed Sources	100%	100% (only Kentucky Plank Collection)	100%
Species (Hardness)	Brinell (N/mm ²)	Hevea (32), Oak (38), Merbau (40), Walnut (26), Ash (32), Beech (34), Iroko (33), Jatoba (60)	Bamboo (34)	Oak (38) Ash (32)	Oak (38) Maple (32)	Oak (38)
Fire resistance (EN 13501-1)	Class	Dfl - s1	Dfl - s1	22/6mm: Oak Cfl - s1; Ash Dfl - s1 15/4mm: Dfl - s1	Dfl - s1	Cfl - s1
Heat transmission resistance	m ² K/W	0,10	0,12	15/4mm: 0,115 22/6mm: 0,165	14/3mm; 15/4mm: 0,115 14,5/3,5mm: 0,1	n/a
Moisture content	%	7 ± 2%	7 ± 2%	7 ± 2%	7 ± 2%	7 ± 2%
Height difference between planks after installation	mm	≤ 0,20	≤ 0,20	≤ 0,20	≤ 0,20	≤ 0,20
Finish	Type	UV curing varnish	UV curing varnish	Oxidative curing oil	UV curing varnish Stain + UV curing varnish Oxidative curing oil UV curing oil	Oiled
Formaldehyde emission	Class	E1	E1	E1	E1	E1



AMORIM

Excellence in flooring



NL/BE/LU/FR Amorim Benelux B.V., +31 166 604 111 info.ar.nl@amorim.com

DE Amorim Deutschland GmbH, +49 4221 59 301 germany.ar.de@amorim.com

AT Amorim Flooring Austria, +43 1 545 16 51 0 austria.ar.de@amorim.com

CH Amorim Flooring (Switzerland) AG, +41 41 726 20 20 . info@amorim.ch

PT Amorim Revestimentos S.A., +351 22 747 5250 aid.ar@amorim.com

ES Amorim Revestimentos, S.A., +34 902 307 407 info.ar.es@amorim.com

CN Amorim Revestimentos - Beijing, +86 10 58672159 amorimre@macau.ctm.net

JP Amorim Japan Corporation, +81 50 1184 5995 otoiawase-ar@amorim.co.jp

DK/FI/NO/SE Amorim Flooring Nordic A/S, +45 44 681 900 mail@amorim-flooring.dk

PL Dom Korkowy, Sp. z o.o., +48 12 637 9639 krakow@domkorkowy.pl

US/CA Amorim Flooring North America, +1 410 553 6062 info.ar.us@amorim.com

Headquarters Amorim Revestimentos, S.A., +351 22 747 5600 geral.ar@amorim.com

Others Amorim Wood Supplies GmbH, +49 4221 689640 contact@amorim-wood.de

www.wicanders.com



The mark of responsible forestry
Only the products that are identified as such on this document are FSC certified.

